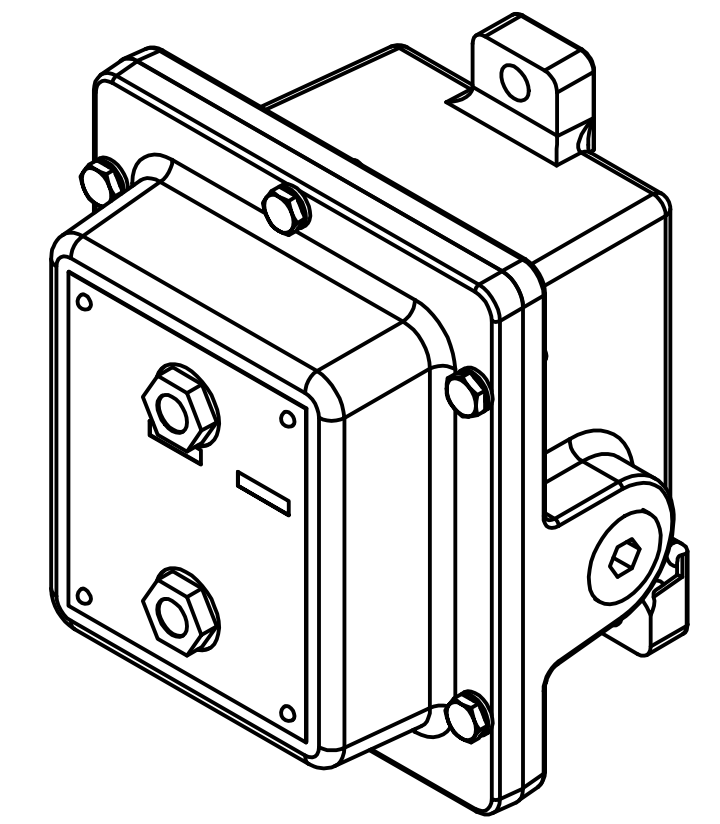
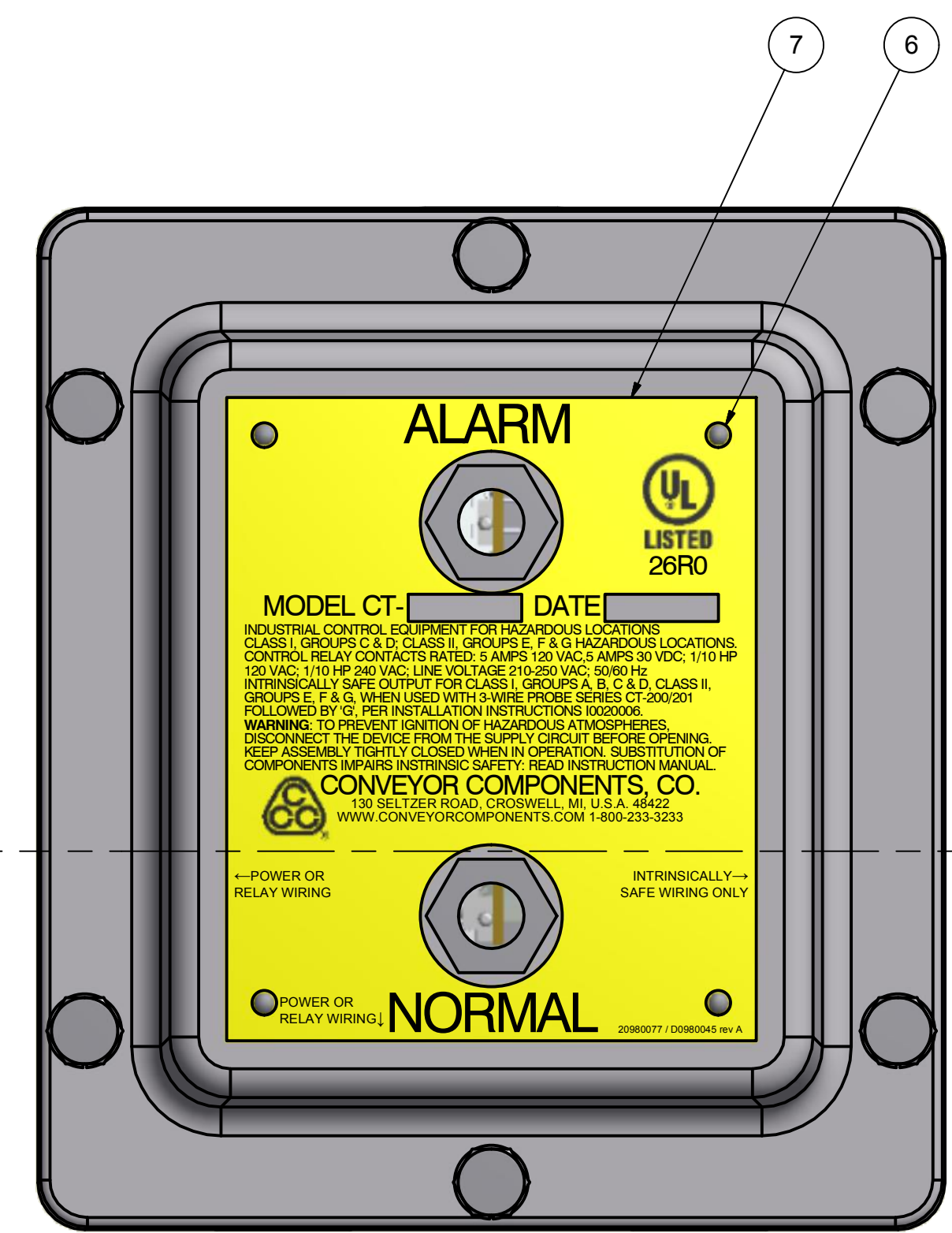


REV	ECO	DESCRIPTION	DATE	BY	APP
B	3811	ADD LABEL	9/13/2012	GL	JK

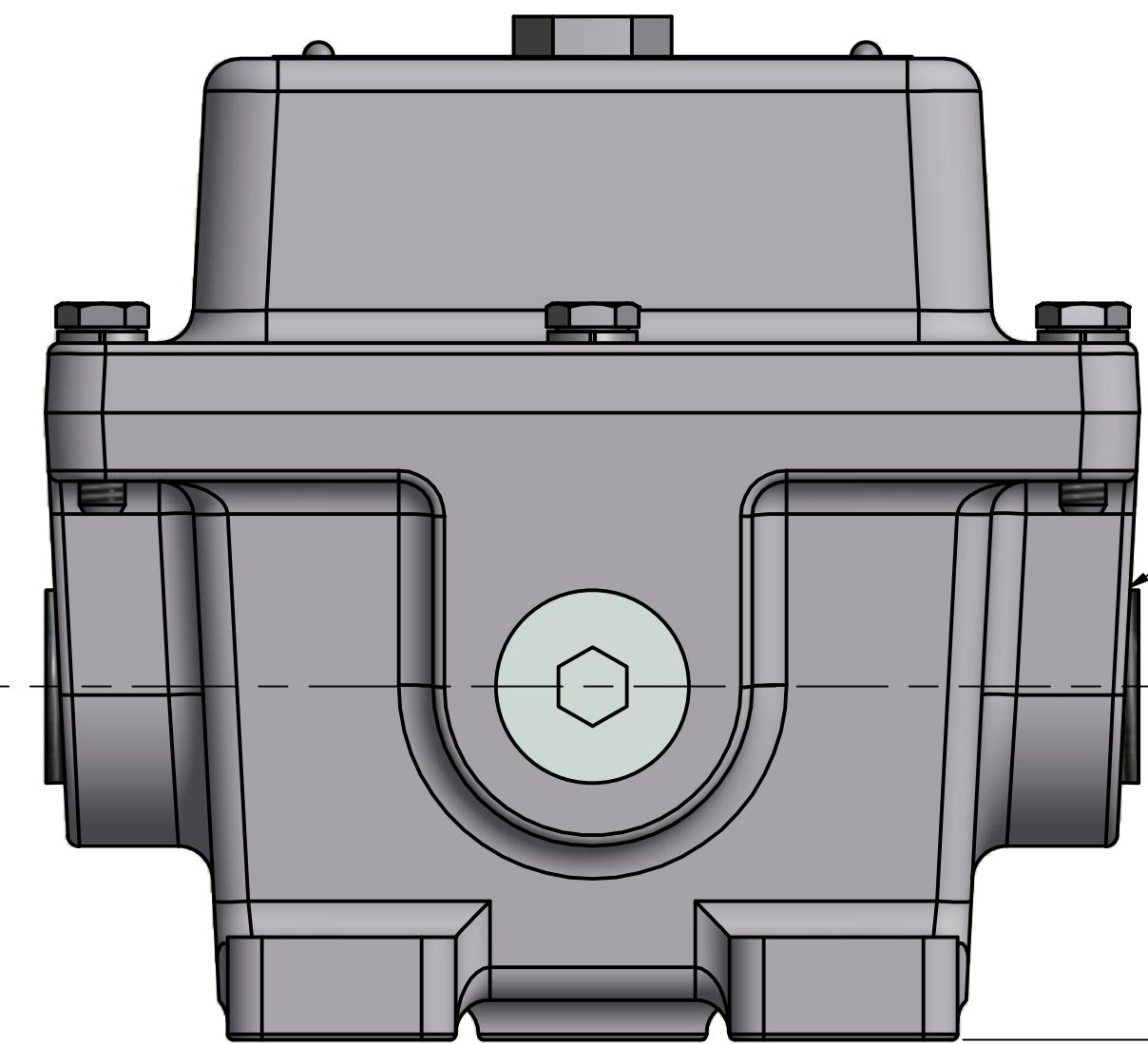
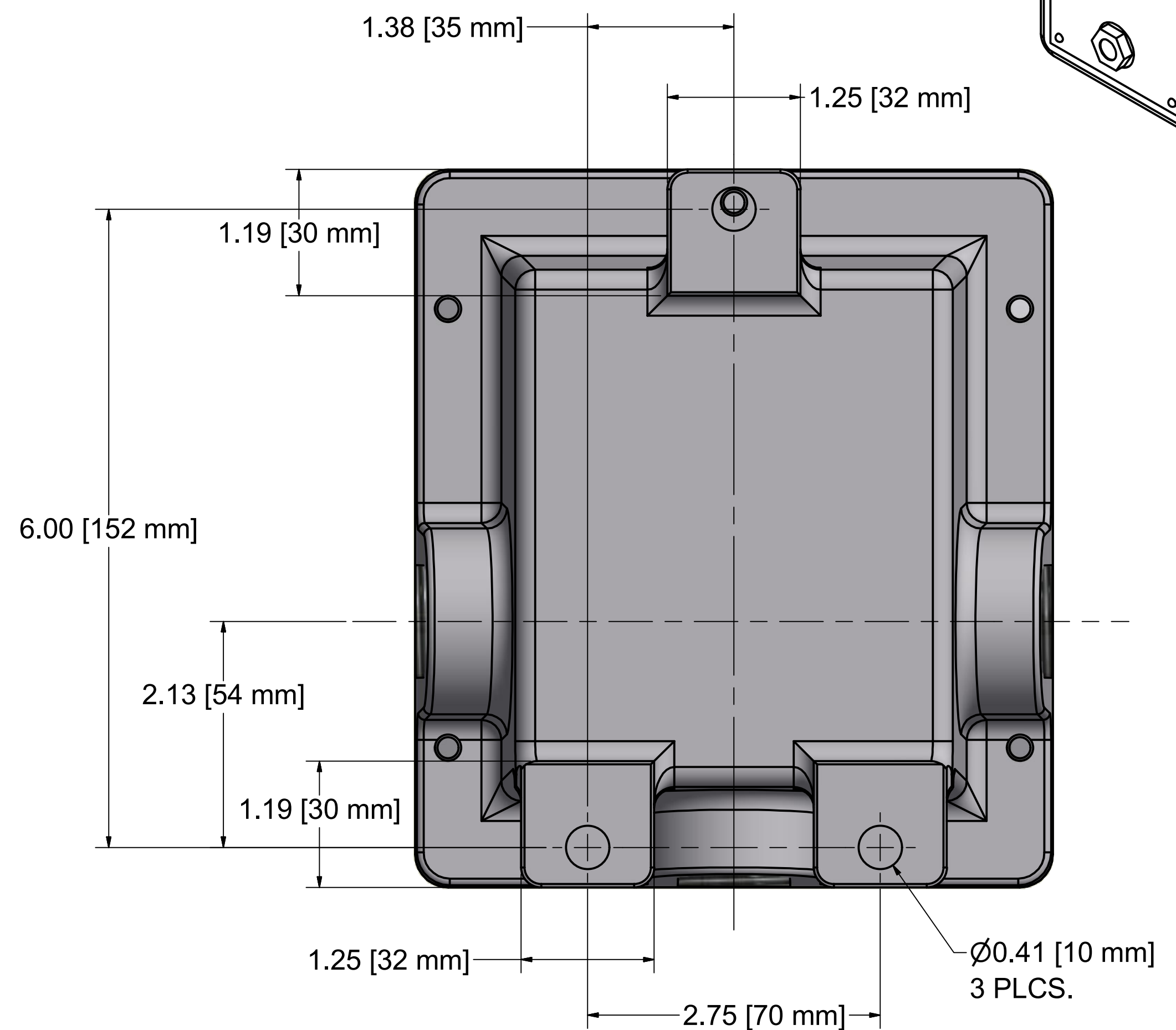
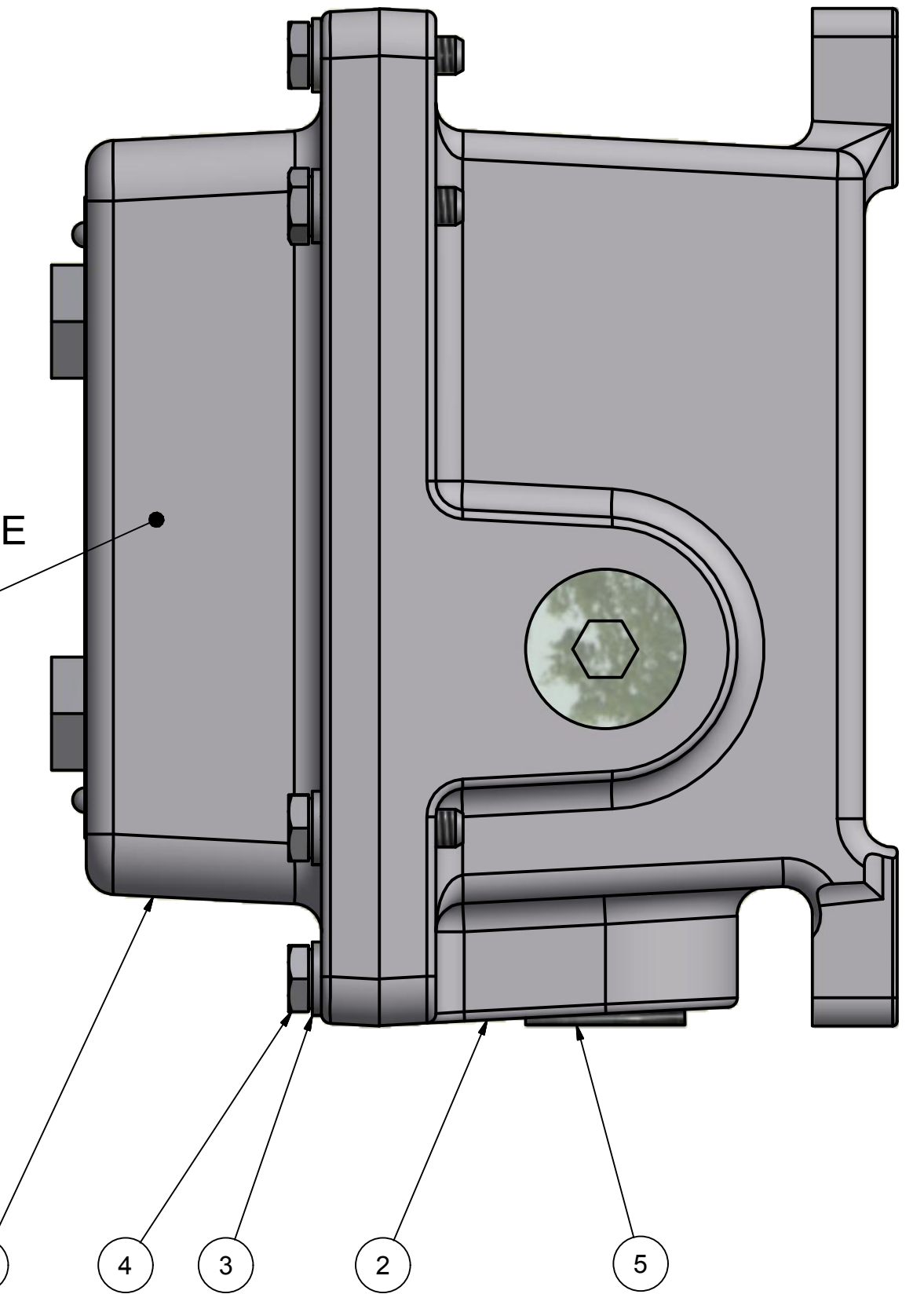


VIEW 5  
SCALE 1/2



LABEL INSIDE COVER

8



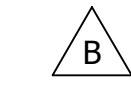
CONDUIT ENTRY:  
3/4-NPT, 3 PLCS.

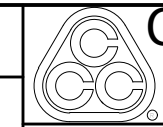
1.94 [49 mm]

ALL DIMS REFERENCE ONLY.

ENCLOSURE TYPE: CLASS I, GROUPS C AND D;  
CLASS II, GROUPS E, F AND G HAZARDOUS LOCATIONS

PARTS LIST				
ITEM	PART#	DWG	DESCRIPTION	I QTY
1	20020194	D0020038	CT COVER ASSEMBLY X-PROOF	1
2	20020214	D0020053	CT BASE ASSEMBLY X-PROOF 240 VAC	1
3	22013426		1/4" SPLIT LOCKWASHER - SST	6
4	22011075		1/4-20 X 1 HEX HEAD CAP SCREW - SST; UL CTRL	6
5	CT-29		3/4" CONDUIT PLUG X-P UL RC CCN EBNV	3
6	22016101		#2 X 1/4 Drive Rivet - SST	4
7	20980077	D0980041	NAMEPLATE CT CONTROL HAZARDOUS LOC, 240 VAC UL	1
8	20980079	D0980059	LABEL: CT CONDUCTORS / TORQUE	1



DRAWN	GL	11/2/2010	 <b>Conveyor Components Company</b> Division of Material Control, Inc. 130 Seltzer Road, Crosswell, Michigan 48422 U.S.A.
CHECKED	JK	10/2/2012	
APPROVED	JK	9/22/2011	TITLE
PART	CT-107B		CT-107B CT CONTROL EXPOSITION PROOF 240 VAC
THIS PRINT IS PROPERTY OF CONVEYOR COMPONENTS CO., AND MAY NOT BE USED IN WHOLE OR PART WITHOUT WRITTEN PERMISSION.			
SIZE	D	DWG NO	D0020063.dwg
SCALE		REV	B
			SHEET 1 OF 1